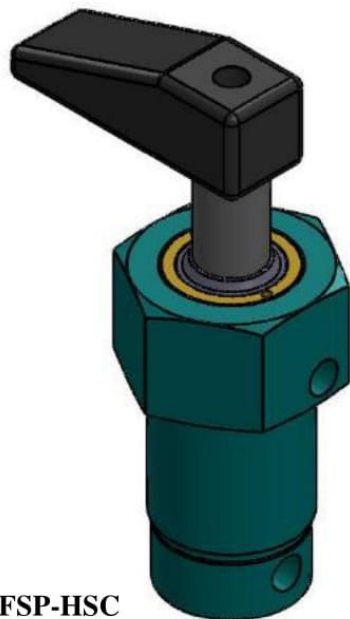




Hydraulic Swing Clamp



FSP-HSC

Order Code : #1301

Hydraulic Swing Clamps are Designed and Manufactured in Different Sizes According To Customer Needs and Orders.

Technical Data

Working Pressure	Max: 200 bar
Rotational Angle	83°



